



H E I G H T S

advanced processing
inca



polymer processor
inca 80

The **HEIGHTS Inca 80 Polymer Processor** is a new and innovative processor with clean crisp design lines which brings elegance and style to the Lithographic processor market, whilst retaining the robustness and durability associated with HEIGHTS processors.

This processor will provide a solution for those customers requiring high quality photopolymer CTP processing applications and is compatible with most plates on the market.

The HEIGHTS Inca 80 processor incorporates all these features within an extremely compact footprint.

Features

Six-Stage Processing

Integrated Developer Chiller as Standard

Unique Dry-Drive System

Energy and Water Saving Features

Easy Cleaning Access

Compact Design

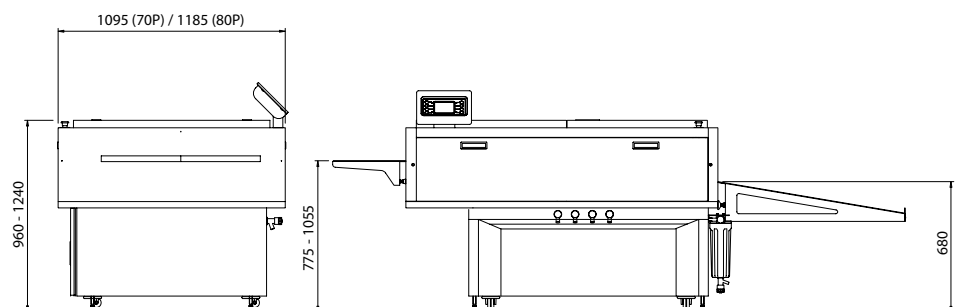
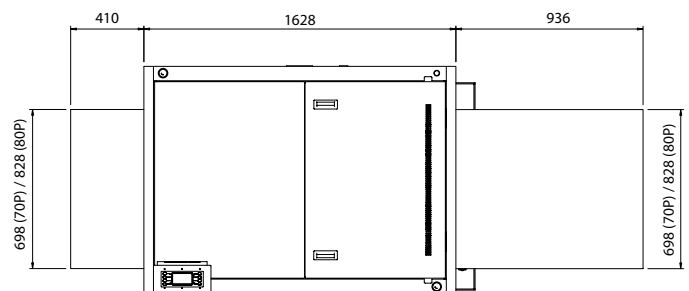
Robust Engineering

State-of-the-Art Control System


Technical Data



Maximum Plate Width	Plate Input Height
811mm (31.9")	940 - 1055mm (37 - 41.5")
Minimum Plate Length	Dimension (LxWxH)
254mm (10.0")	1628 x 1225 x 1350-1465mm (64.1 x 49.4 x 53 - 57.7")
Plate Thickness	Machine Weight
0.15 - 0.30mm (0.006 - 0.012")	500kg (1102lbs)
Plate Transport Speed	Recommended Room Temp.
500 - 2000mm/min (19.68 to 78.7") @ 10 to 40 sec Dip to Niip	18 to 29°C (64.4 to 84.4°F)
Pre-wash Tank Capacity	Noise
22.6 Litres (5.97 US Gallons)	Less than 70 dB(A)
Developer Tank Capacity	Avg. Weekly Recommended Throughput
27.9 Litres (7.37 US Gallons)	Up to 500m ² (5382 ft ²)
Rinse Tank Capacity	Electrical Supply
22.7 Litres (6 US Gallons)	220-240VAC 1 Phase + Neutral + PE 28A /Phase - 50/60Hz 220-240VAC 2W + PE 28A /Phase - 60Hz 380-480VAC 3P + Neutral + PE 16A/Phase - 50/60Hz Please specify power requirements with your order
Finisher Tank	
3.2 Litres (0.85 US Gallons)	



Heights UK Ltd
Wainstalls, Halifax. West Yorkshire. HX2 7TJ United Kingdom
tel. +44 (0) 1422 240914 fax. +44 (0) 1422 240589
email. info@heights-uk.com
www.heights.com

 All trademarks are the copyright of their respective owners and their use in this publication is acknowledged and recognized. Specification liable to change without notice.



H E I G H T S